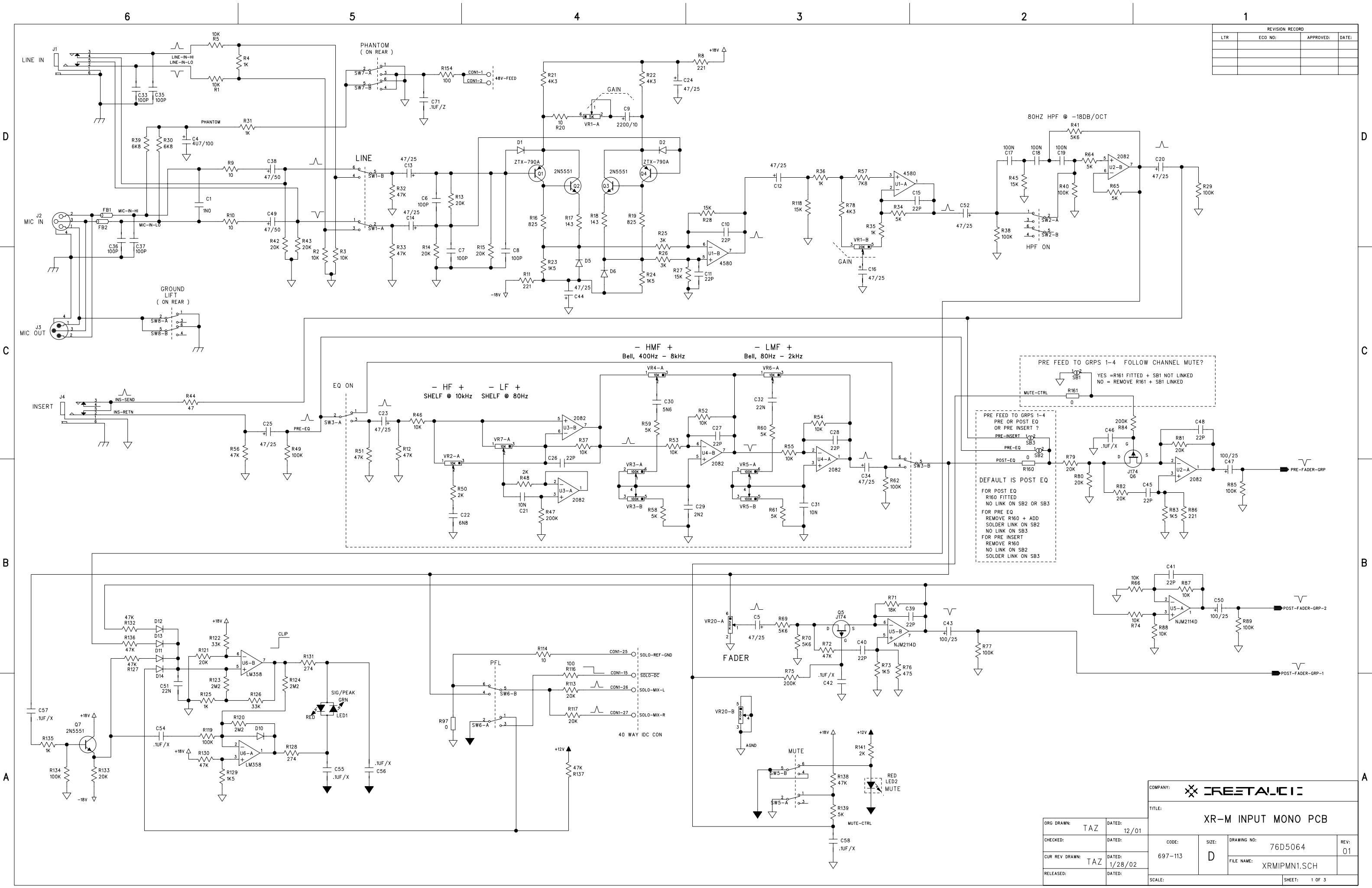


REVISION RECORD			
LTR	ECO NO.	APPROVED:	DATE:



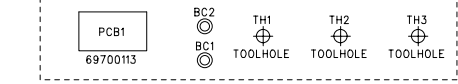
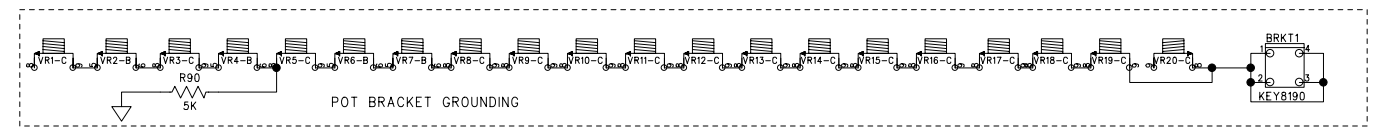
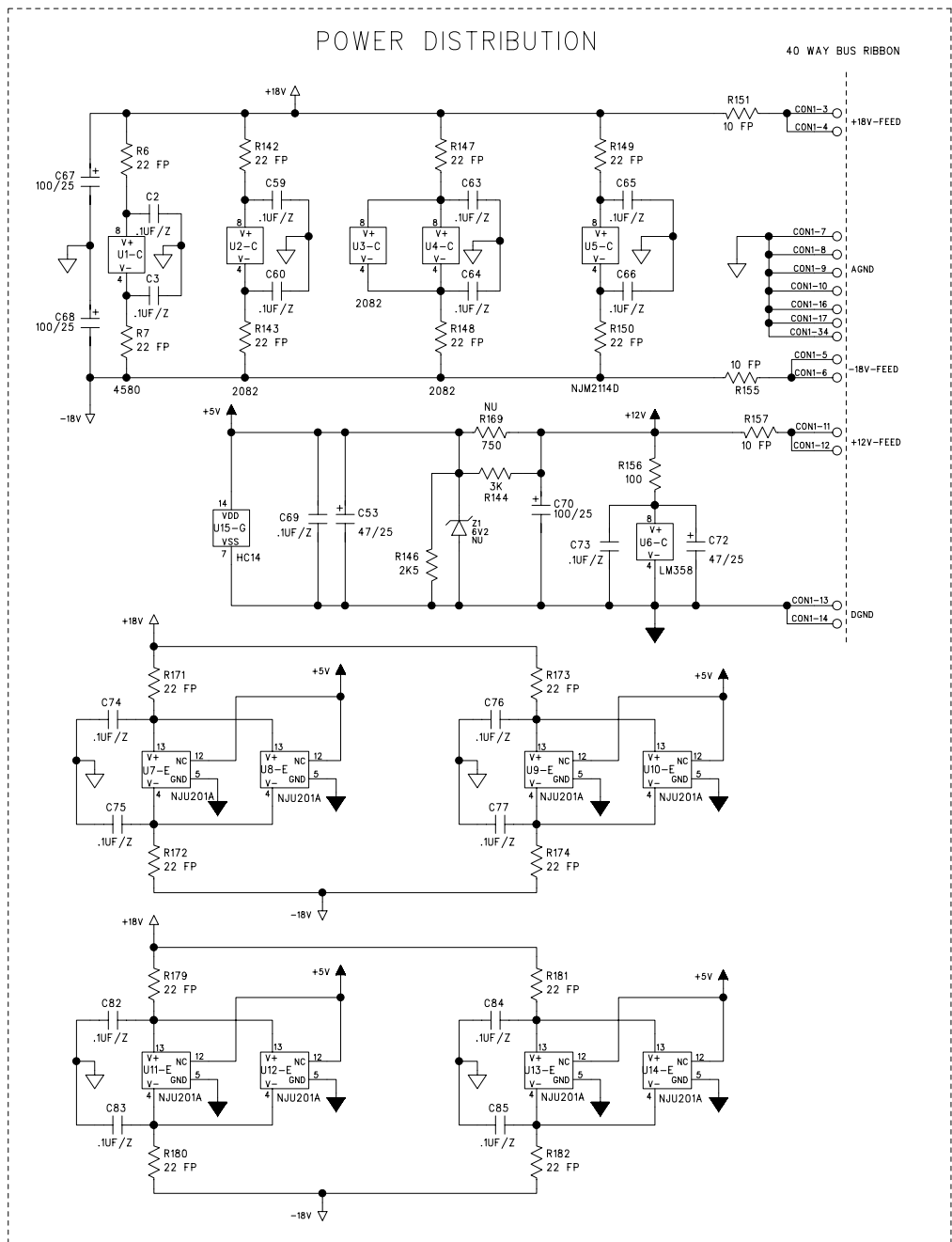
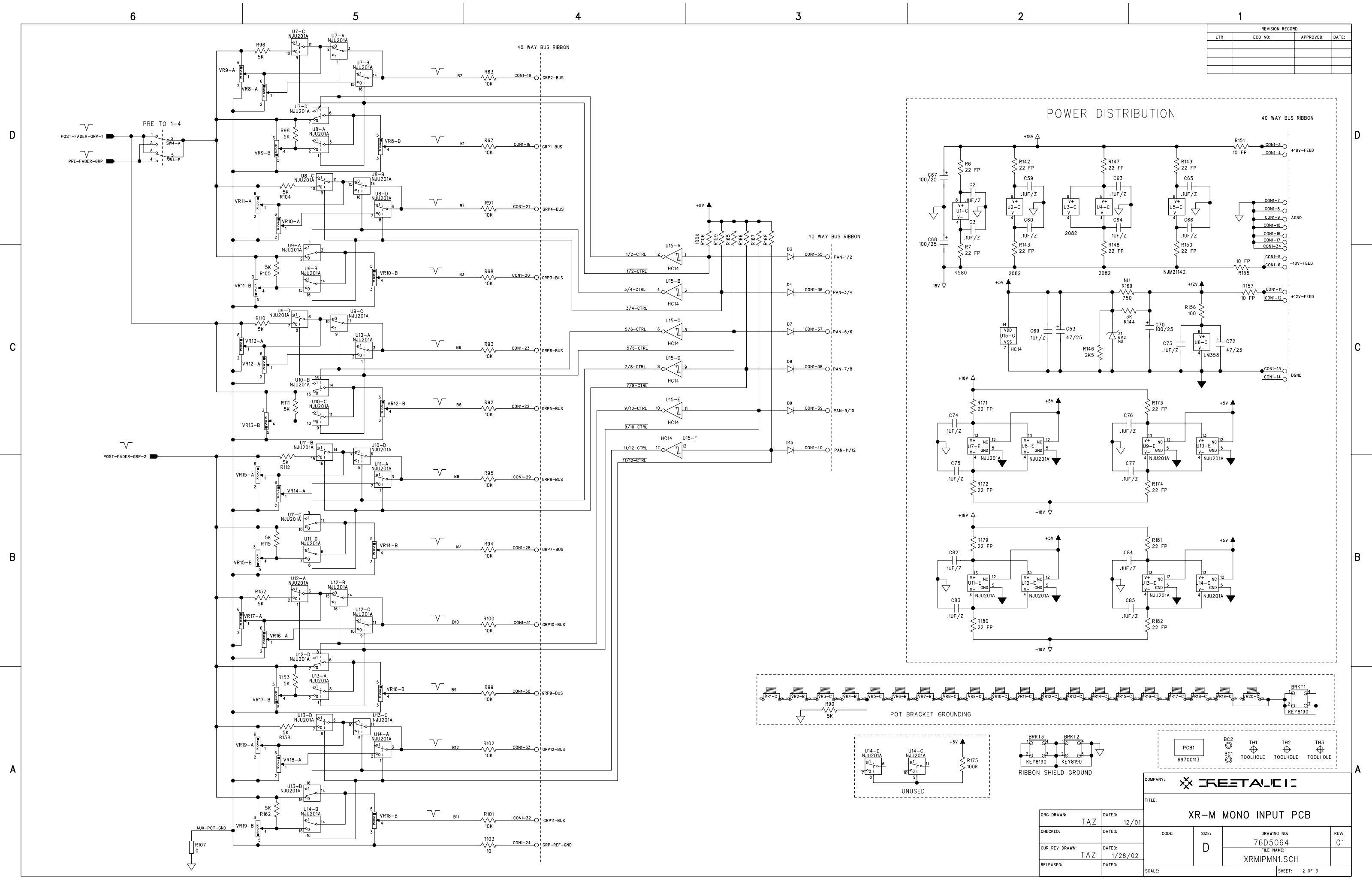
COMPANY: **RETALIC**

TITLE: **XR-M INPUT MONO PCB**

ORG DRAWN: TAZ	DATED: 12/01	CODE: 697-113	SIZE: D	DRAWING NO: 76D5064	REV: 01
CHECKED:	DATED:			FILE NAME: XRMIPMN1.SCH	
CUR REV DRAWN: TAZ	DATED: 1/28/02				
RELEASED:	DATED:				

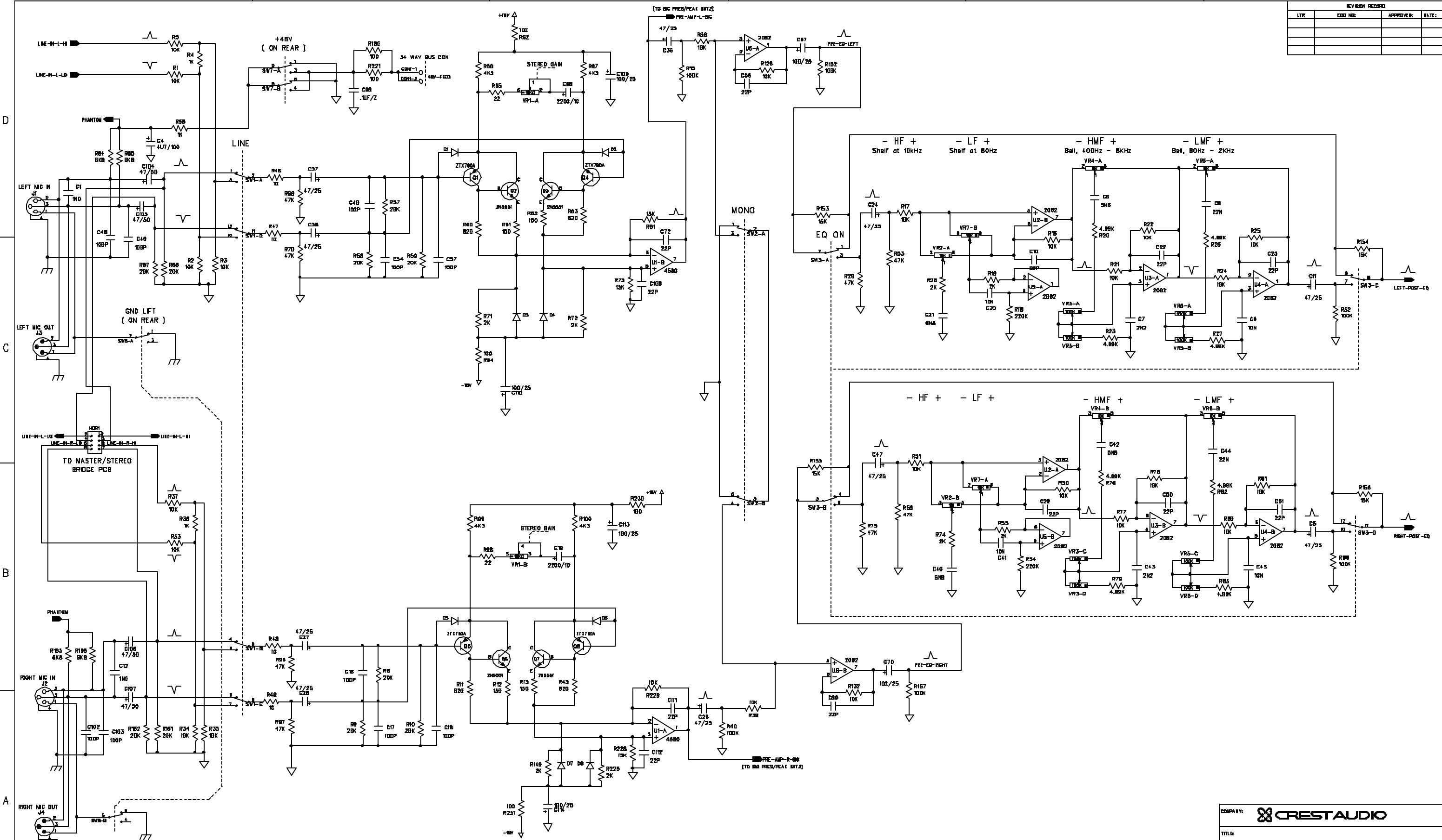
SCALE: SHEET: 1 OF 3

REVISION RECORD			
LTR	ECO NO.	APPROVED:	DATE:



COMPANY: PRETALIC			
TITLE: XR-M MONO INPUT PCB			
ORG DRAWN: TAZ	DATED: 12/01	CODE: D	SIZE: D
CHECKED: TAZ	DATED: 1/28/02	DRAWING NO: 76D5064	REV: 01
CUR REV DRAWN: TAZ	DATED: 1/28/02	FILE NAME: XRMIPMN1.SCH	
RELEASED: TAZ	DATED:	SCALE:	SHEET: 2 OF 3

REVISON RECORD			
LT#	CO#	APPROVE#	DATE



COMPANY: **CRESTAUDIO**

TITLE: **XR-M STEREO INPUT PCB**

DRW DRAWN: TAZ	DATE: 12/01	CRE BY P/NE: D	DZC: D	DRAWING NO: 76D5065	REV: 01
CHEKKS BY: TAZ	DATE: 1/28/02			FILE NAME: XRMISMN1.SCH	
DATE REV DRAWN: TAZ	DATE: 1/28/02				
RELEASED:	DATE:				

SDA LE:

SHEET: 1 OF 3

6

5

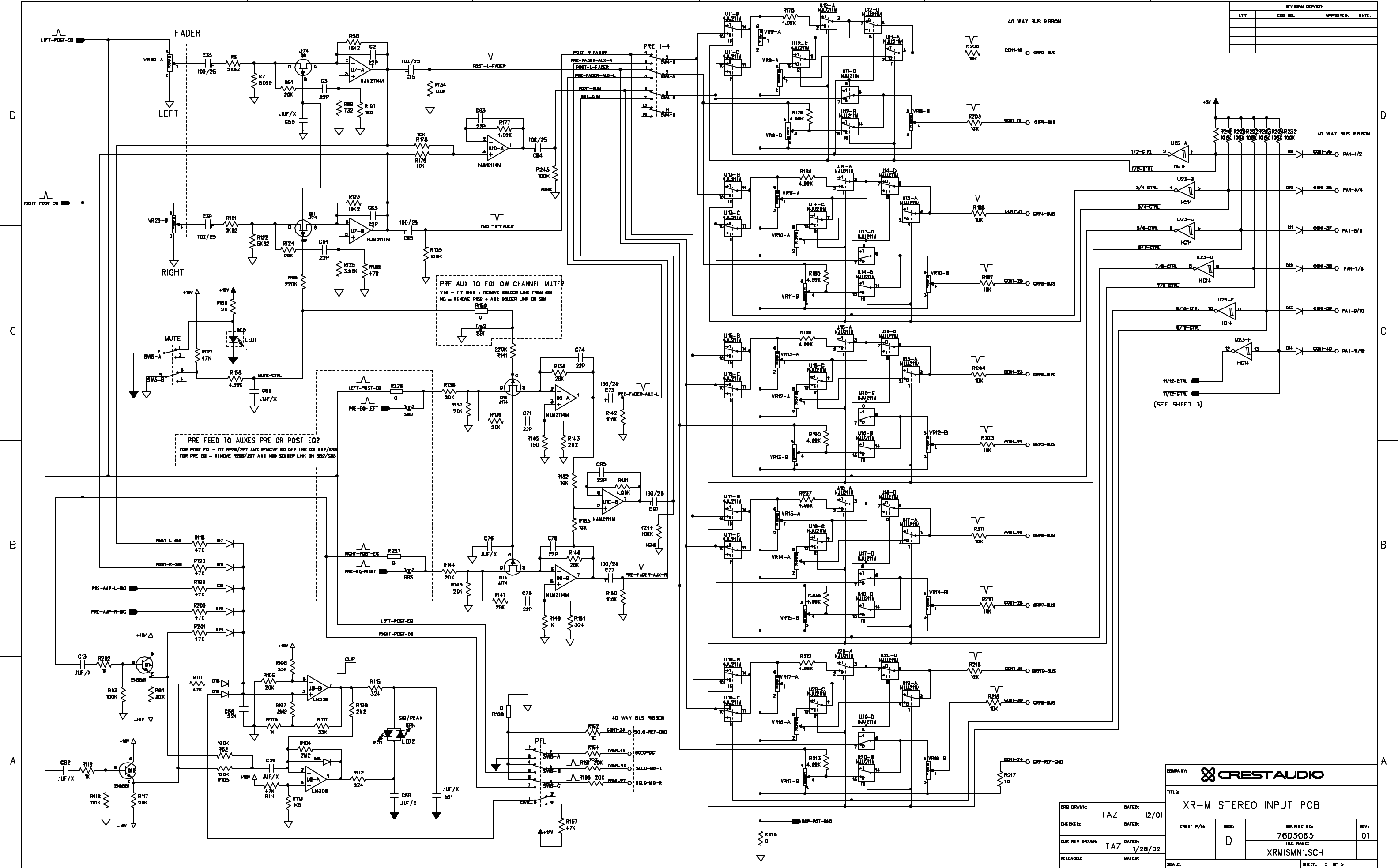
4

3

2

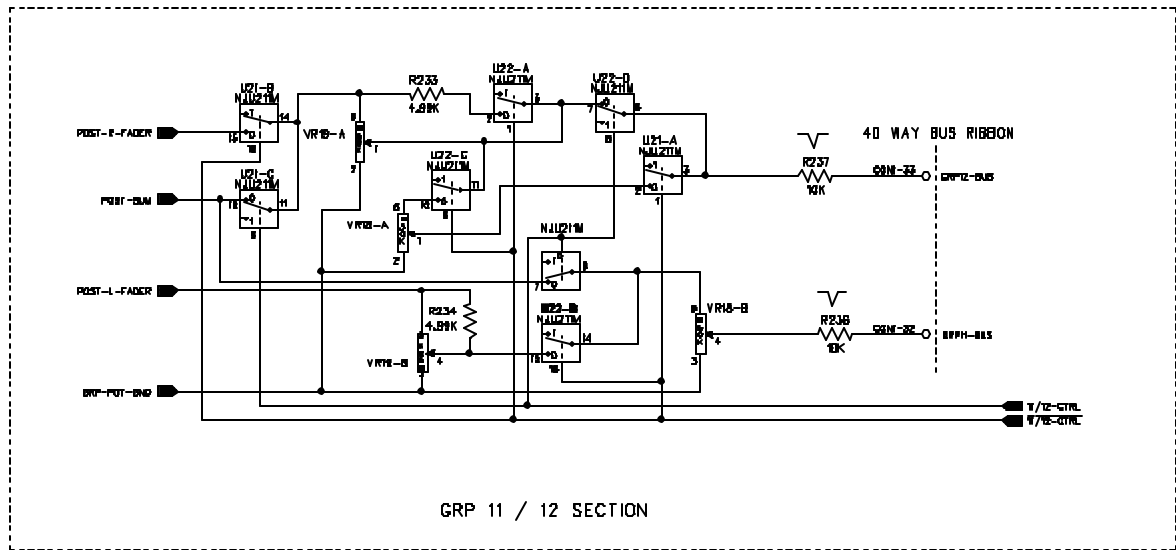
1

REV BOM RECORD			
LT#	EQ#	APPROVE#	DATE

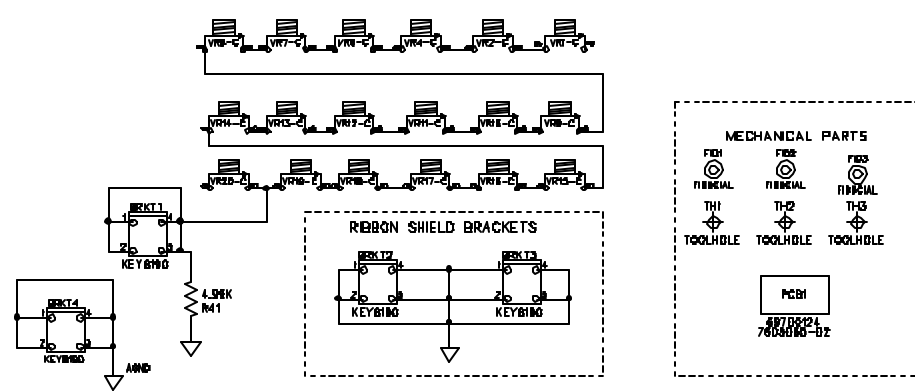


COMPANY: CRESTAUDIO		TITLE: XR-M STEREO INPUT PCB	
DRW: TAZ	DATE: 12/01	CRE BY: P/NE	REV: 01
CHEK: TAZ	DATE: 1/28/02	SIZE: D	WARRANTY ID: 76D5065
FILE NAME: XRMISMN1.SCH	RELEASE:	DATE:	REV:
SHEET: 1 OF 3			

REV REVISION RECORD			
LYR	ECO NO	APPROVER	DATE

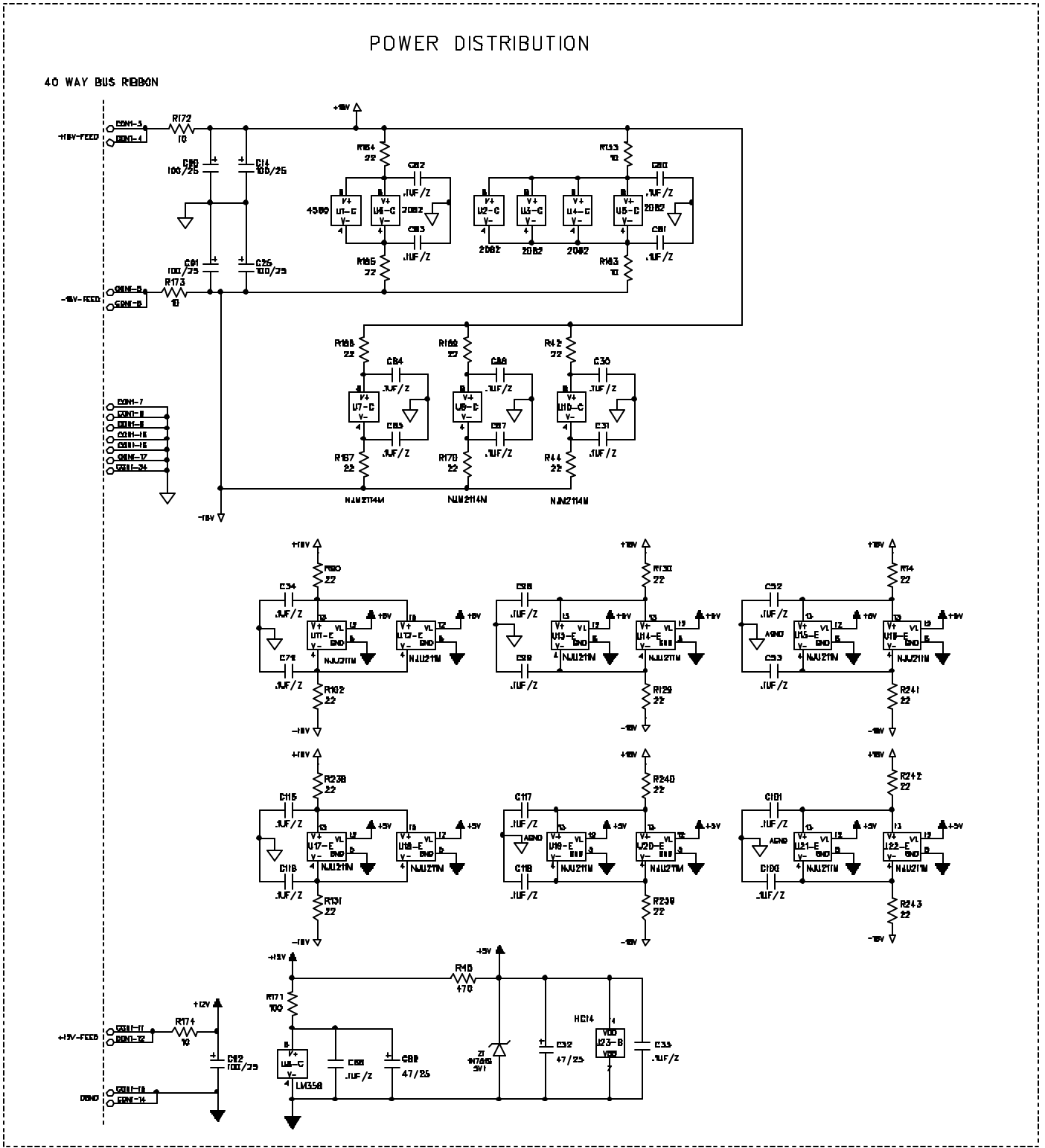


GRP 11 / 12 SECTION



MECHANICAL PARTS

F01	F02	F03
PCB1	PCB2	PCB3



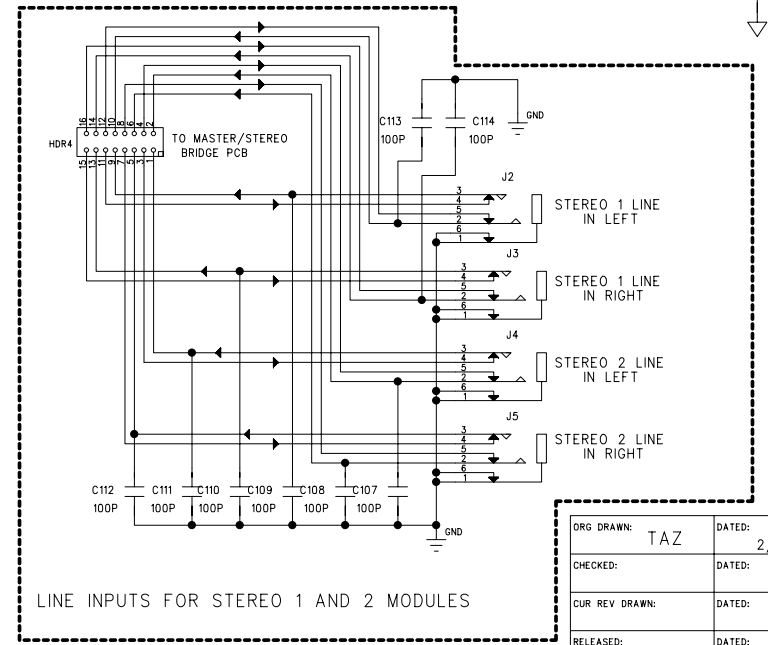
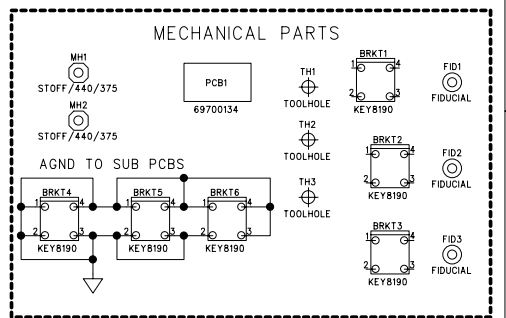
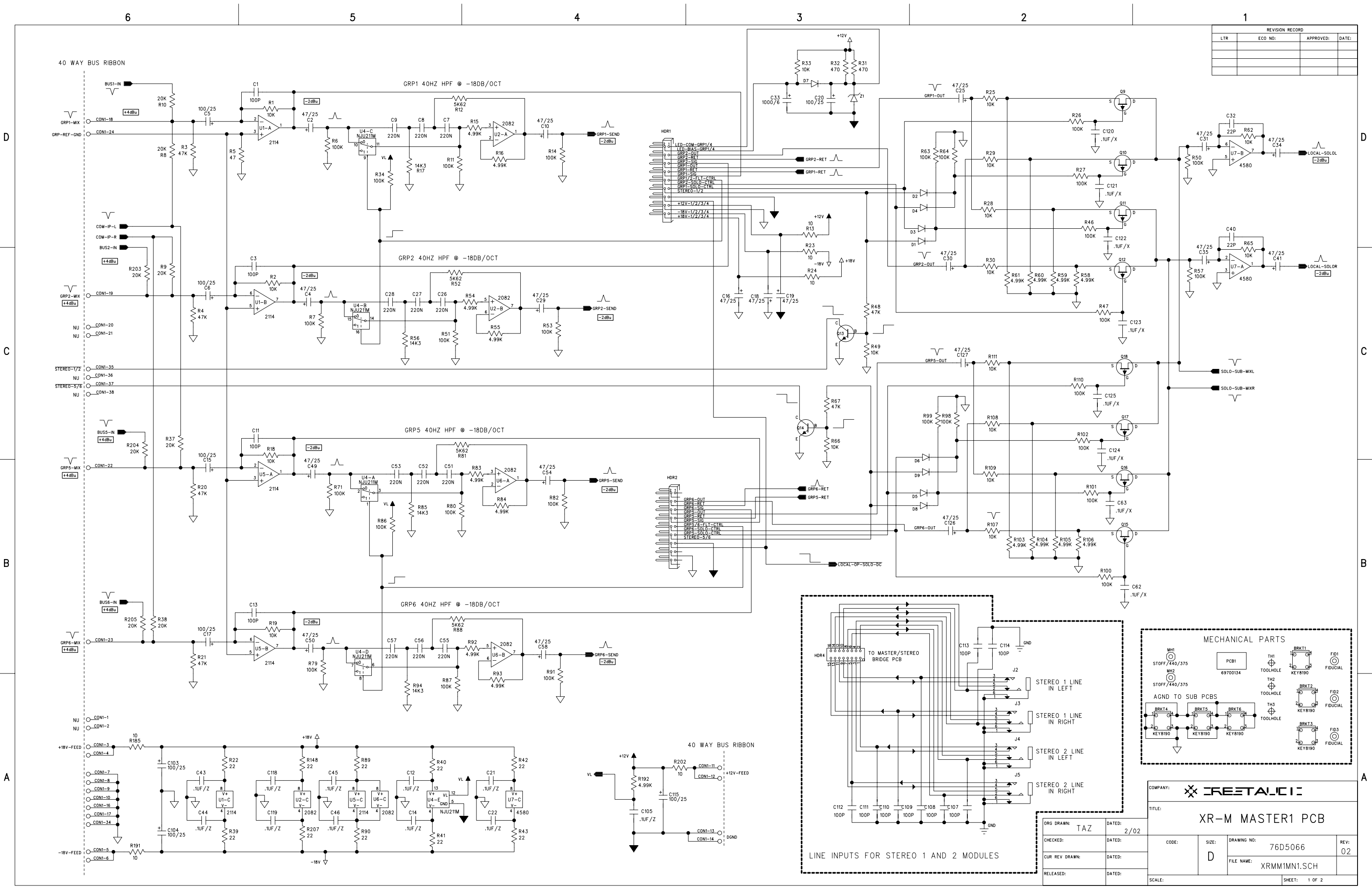
POWER DISTRIBUTION

REVISION RECORD					
REV LEVEL	ASMBLY LEVEL	DATE	ECO	ENG.	DESCRIPTION
A	A	4/11		TAZ	FIRST PROTOTYPE PCB'S
00	A	11/27/01	4484	TAZ	COPPER REVISION FROM A TO 00 CHANGE POTENTIOMETERS TO 9/12 MM SERIES. RESISTOR TRIM CHANGES (FOR MUTE TRIMS) CHANGED FEMALE XLR'S TO DMS WITH LATCHES
00	B	1/28/02	4514	TAZ	VR13-B TERMINAL 5 AND 3 SWAPED, HAND MODIFICATION.
01	A	1/28/02		TAZ	COPPER REVISION FROM 00 TO 01 (PCB PART NUMBER FROM 697-114 CHANGE TO 697-119 FOR NEW REVISION) MUTE TRIM CHANGES AS FOLLOWS R101 FROM 120R (70200048) TO 180R (70200114) R125 FROM 7K15 (70200085) TO 3K92 (70200129) R128 FROM 302R (70200136) TO 470R (70200046) R143 FROM 270R (70200017) TO 2.2M (70200037) R148 FROM 470R (70200048) TO 1K (70200047) R151 FROM 470R (70200046) TO 3.30R (70200071) C40 AND C16 FROM 100 TO 100P/50 (SMT)



COMPANY: CRESTAUDIO		TITLE: XR-M STEREO INPUT PCB	
DESIGNED BY: TAZ	DATE: 12/01	CREATED BY: D	REV: 01
CHECKED BY: TAZ	DATE: 1/28/02	BRNWK ID: 76D5065	FILE NAME: XRMISMN1.SCH
RELEASED: TAZ	DATE: 1/28/02	SIZE: D	SHEET: 3 OF 3

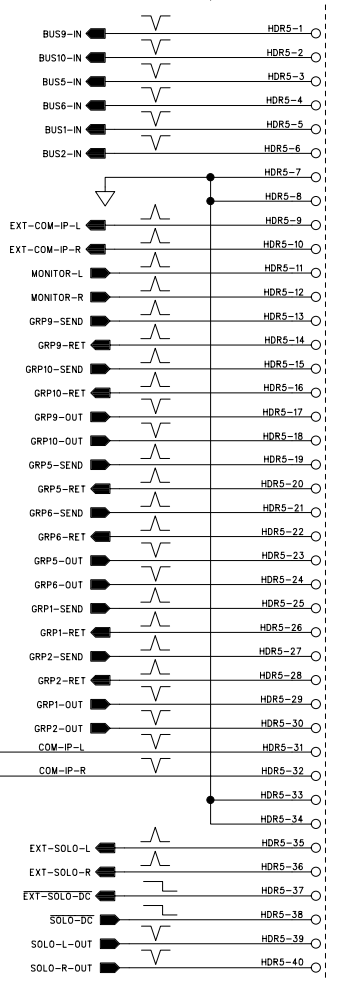
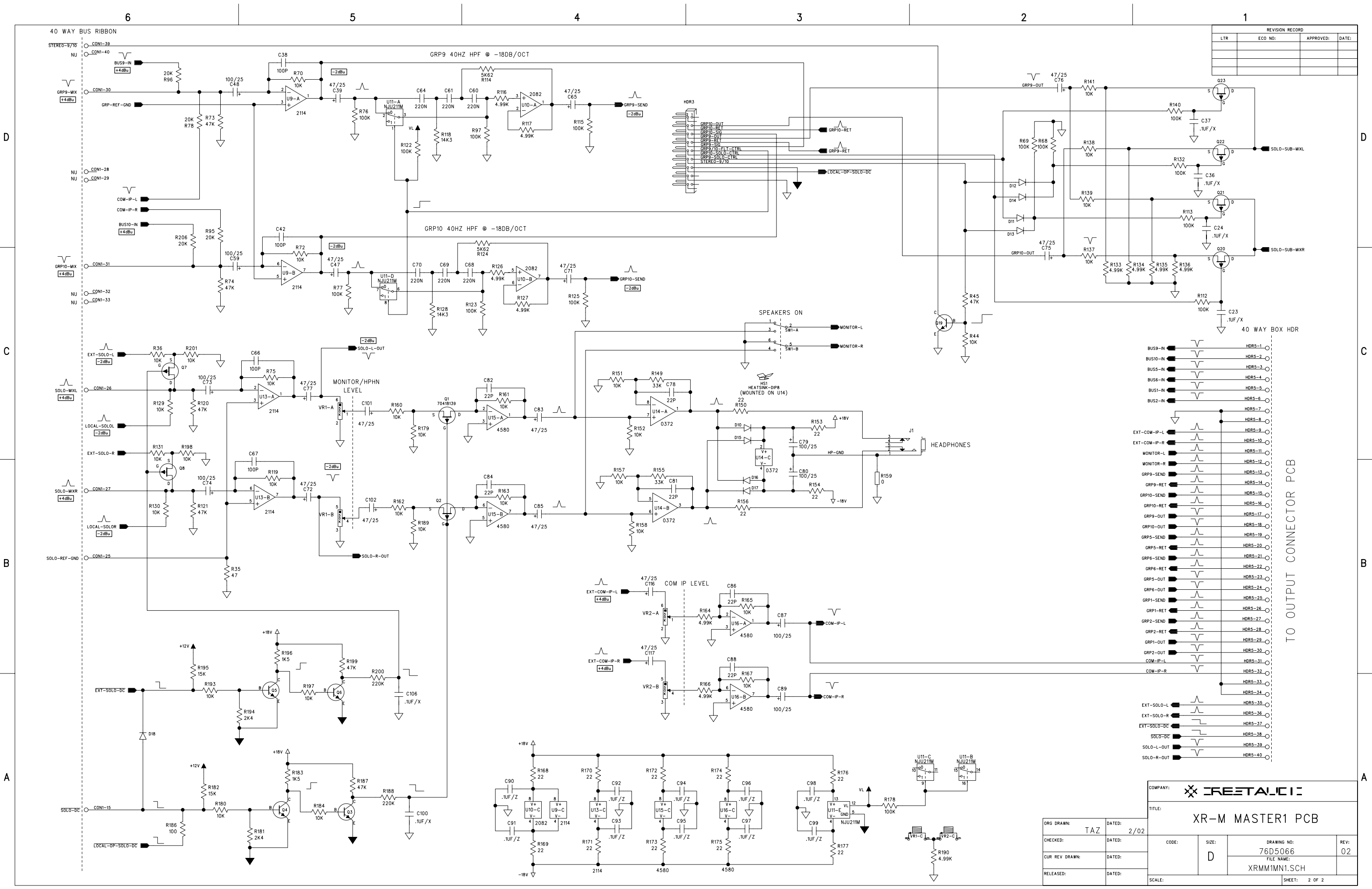
REVISION RECORD			
LTR	ECO NO:	APPROVED:	DATE:



ORG DRAWN:	TAZ	DATED:	2/02
CHECKED:		DATED:	
CUR REV DRAWN:		DATED:	
RELEASED:		DATED:	

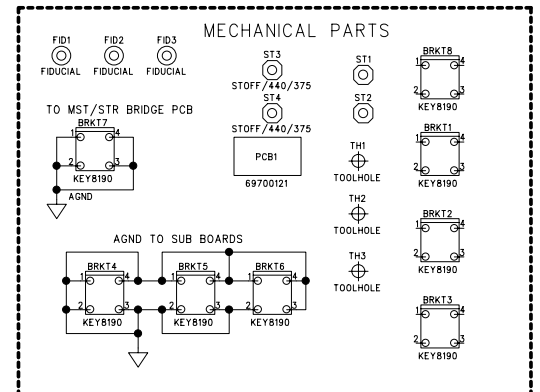
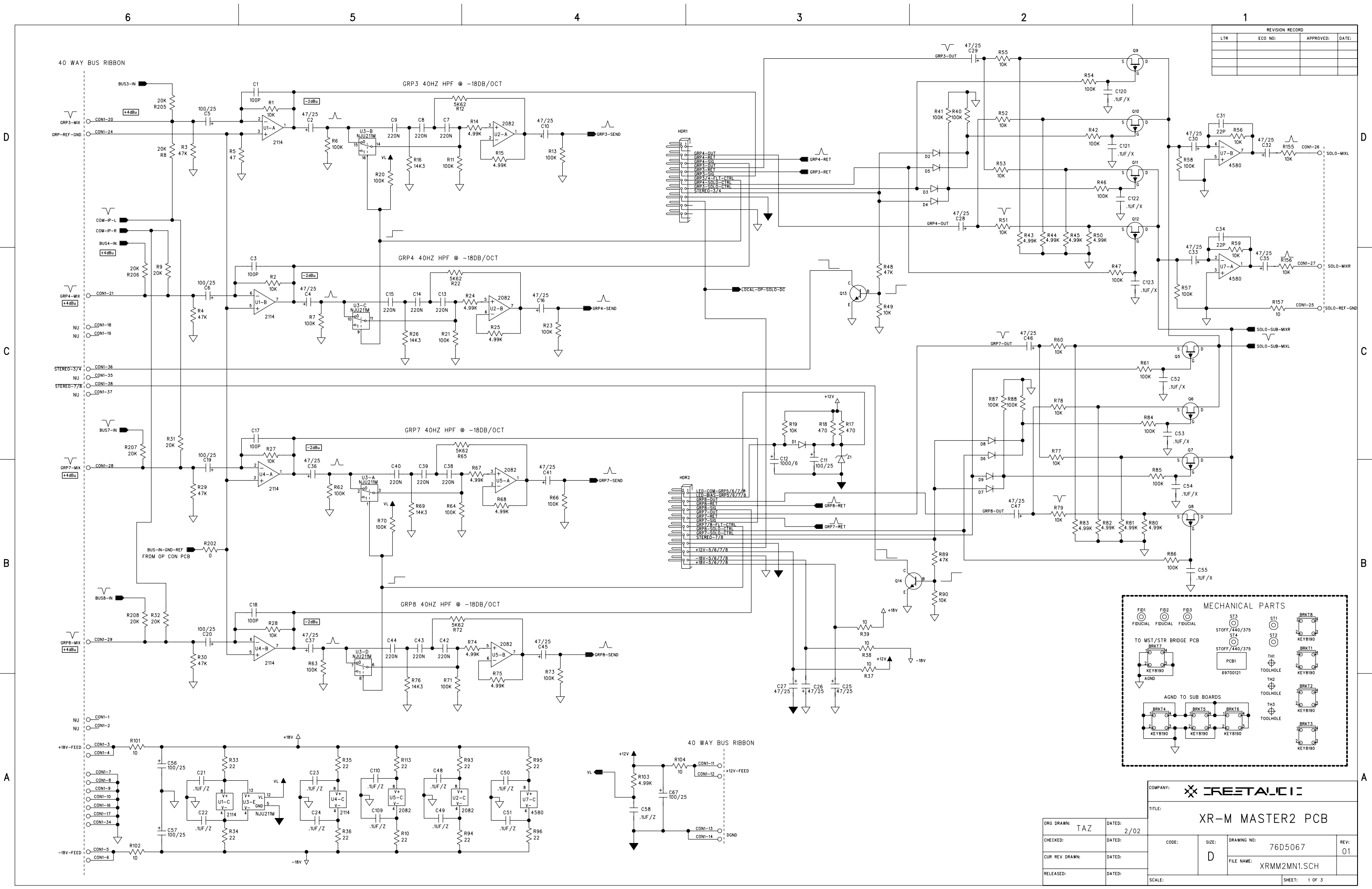
COMPANY: IRETALIC			
TITLE: XR-M MASTER1 PCB			
CODE:	SIZE: D	DRAWING NO: 76D5066	REV: 02
FILE NAME: XRMM1MN1.SCH		SHEET: 1 OF 2	

REVISION RECORD			
LTR	ECO NO:	APPROVED:	DATE:



COMPANY: CRETAALIC	
TITLE: XR-M MASTER1 PCB	
ORG DRAWN: TAZ	DATED: 2/02
CHECKED:	DATED:
CUR REV DRAWN:	DATED:
RELEASED:	DATED:
CODE: D	SIZE: 76D5066
DRAWING NO: 76D5066	REV: 02
FILE NAME: XRMM1MN1.SCH	SHEET: 2 OF 2

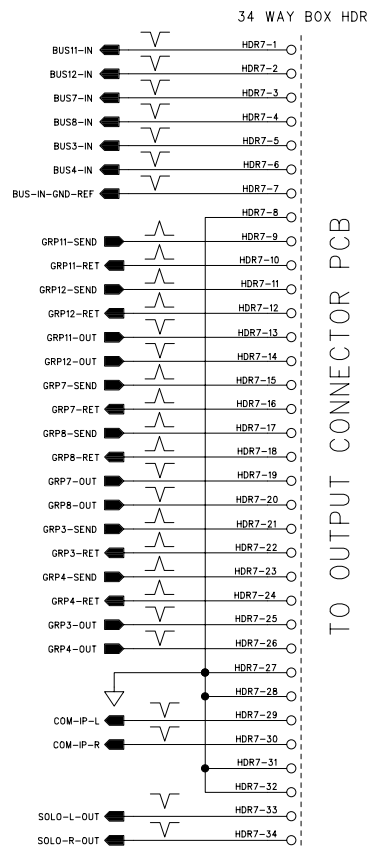
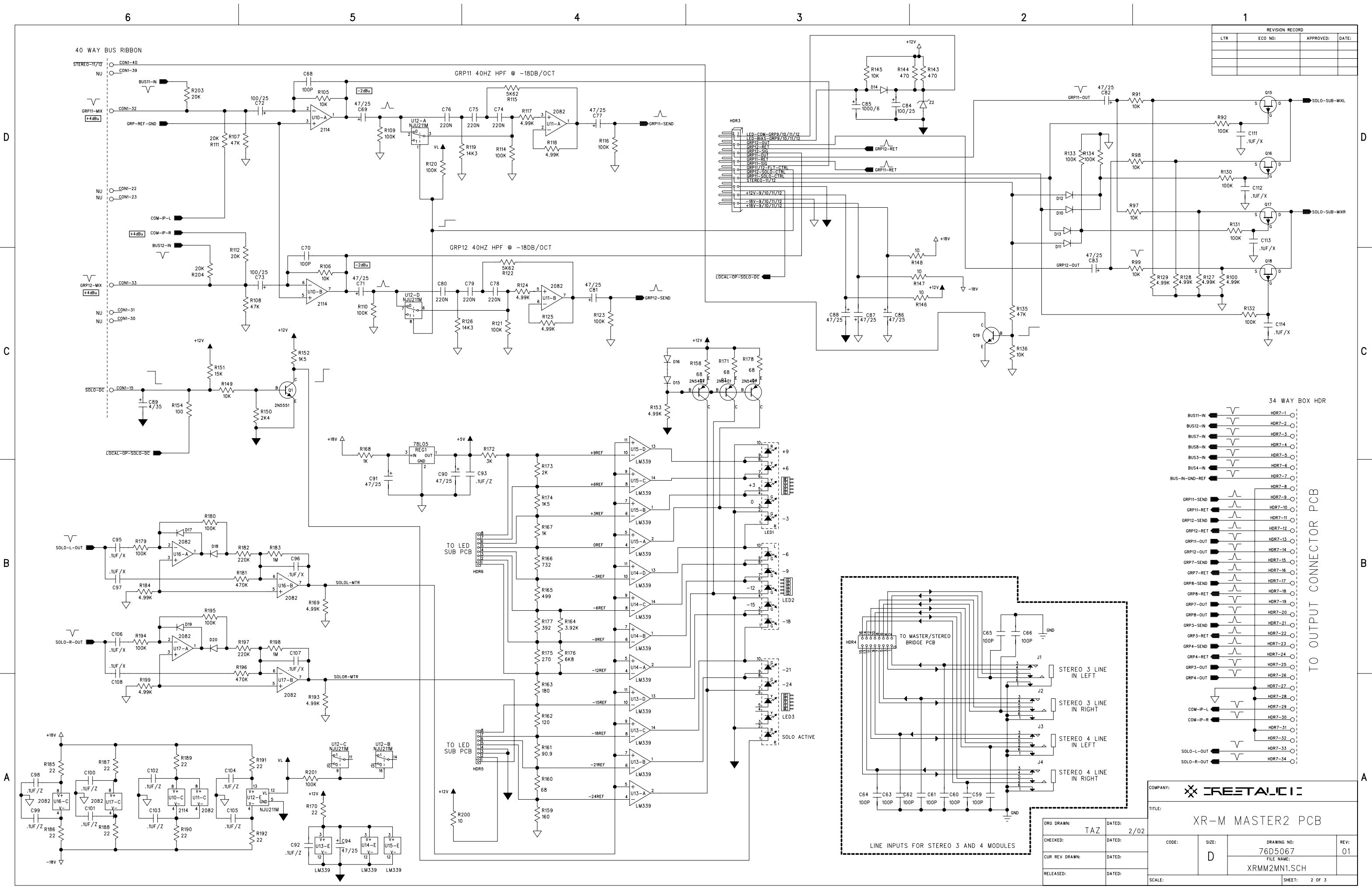
REVISION RECORD			
LTR	ECO NO:	APPROVED:	DATE:



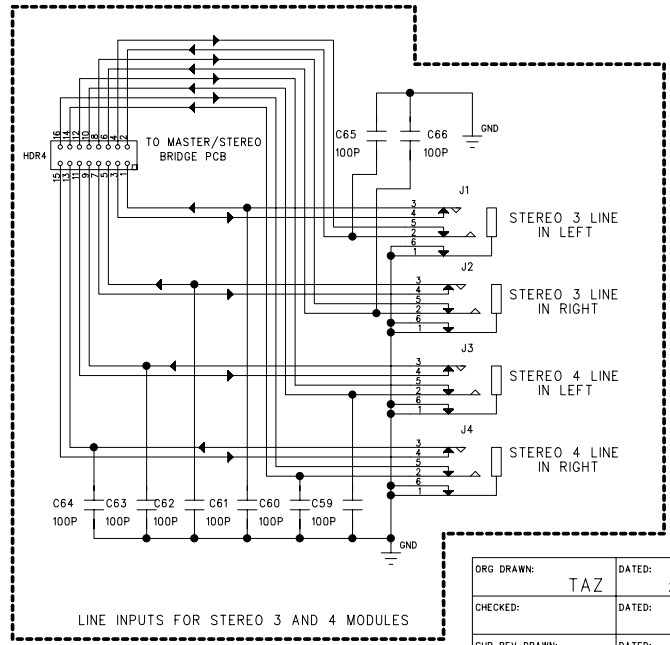
COMPANY: FRETAULT		TITLE: XR-M MASTER2 PCB	
ORG DRAWN: TAZ	DATED: 2/02	CODE: D	SIZE: 76D5067
CUR REV DRAWN:	DATED:	FILE NAME: XRM2M2N1.SCH	REV: 01
RELEASED:	DATED:	SCALE:	SHEET: 1 OF 3

CHECKED:	DATED:
RELEASED:	DATED:

REVISION RECORD			
LTR	ECO NO:	APPROVED:	DATE:

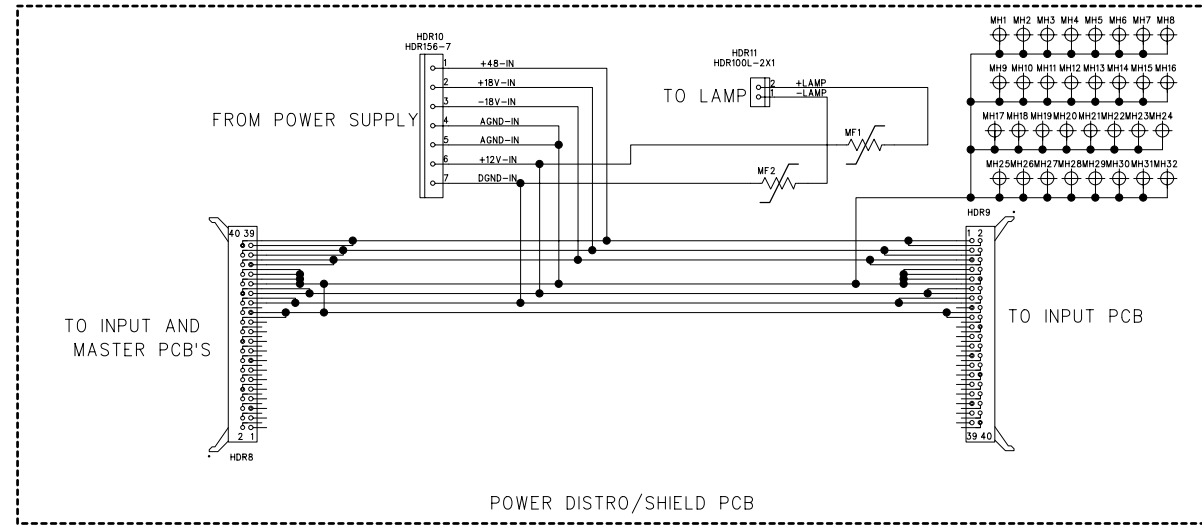


TO OUTPUT CONNECTOR PCB



COMPANY: CRETALIC		TITLE: XR-M MASTER2 PCB	
ORG DRAWN: TAZ	DATE: 2/02	CODE: D	SIZE: 76D5067
CUR REV DRAWN:	DATE:	DRAWING NO: 76D5067	REV: 01
RELEASED:	DATE:	FILE NAME: XRMM2MN1.SCH	SHEET: 2 OF 3

REVISION RECORD			
LTR	ECO NO:	APPROVED:	DATE:



D

D

C

C

B

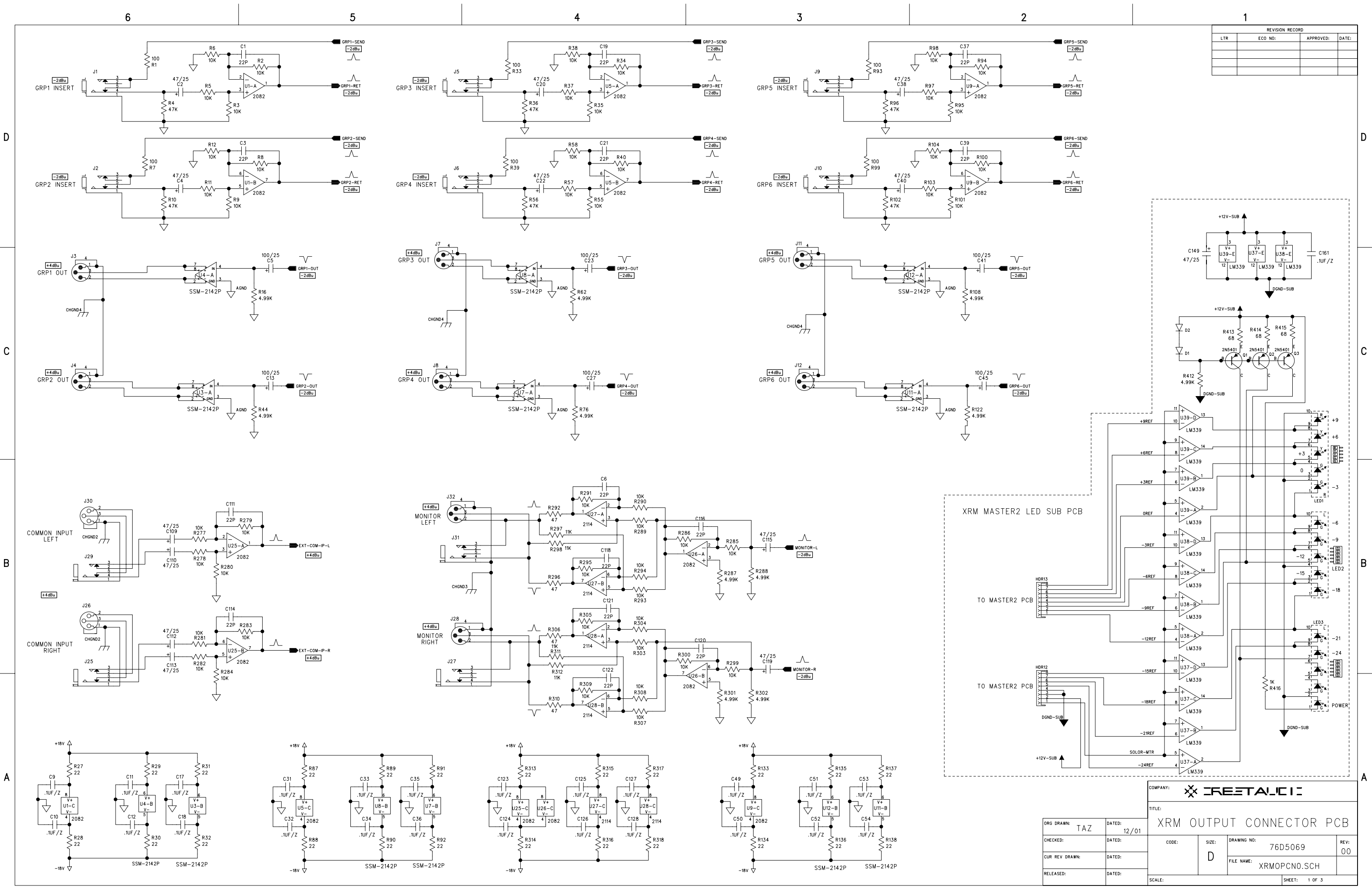
B

A

A

ORG DRAWN:		DATED:		COMPANY:			
CHECKED:		DATED:		TITLE:		XR-M MASTER2 PCB (BUS SHIELD/POWER DISTRIBUTION PCB)	
CUR REV DRAWN:		DATED:		CODE:	SIZE:	DRAWING NO:	REV:
RELEASED:		DATED:			D	76D5067	01
				FILE NAME:		XRMM2MN1.SCH	
				SCALE:		SHEET: 3 OF 3	

REVISION RECORD			
LTR	ECO NO:	APPROVED:	DATE:



COMPANY: **CRETAALIC**

TITLE: **XRM OUTPUT CONNECTOR PCB**

ORG DRAWN: TAZ DATED: 12/01

CHECKED: DATED:

CUR REV DRAWN: DATED:

RELEASED: DATED:

CODE: D

SIZE: D

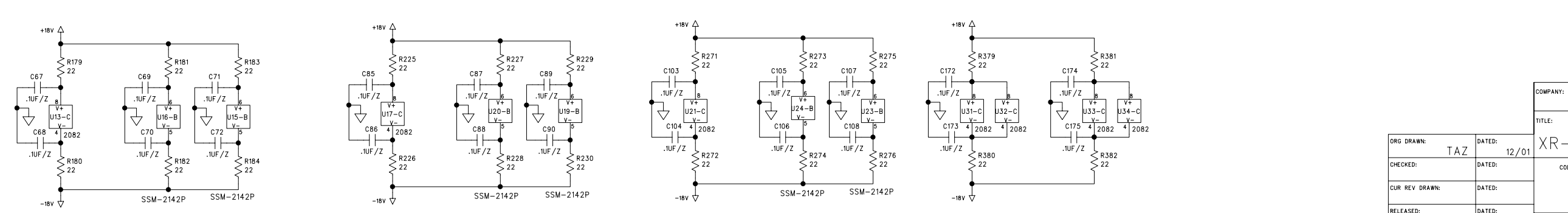
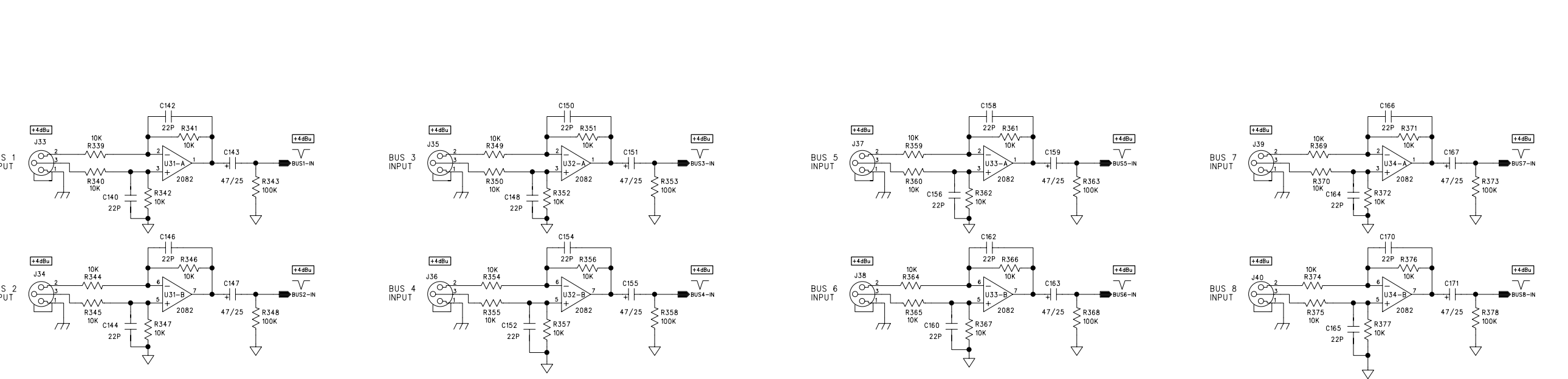
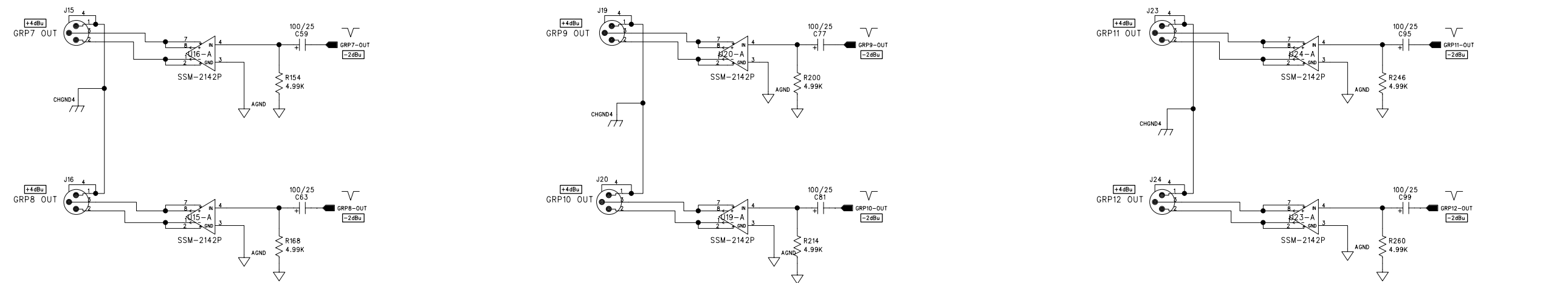
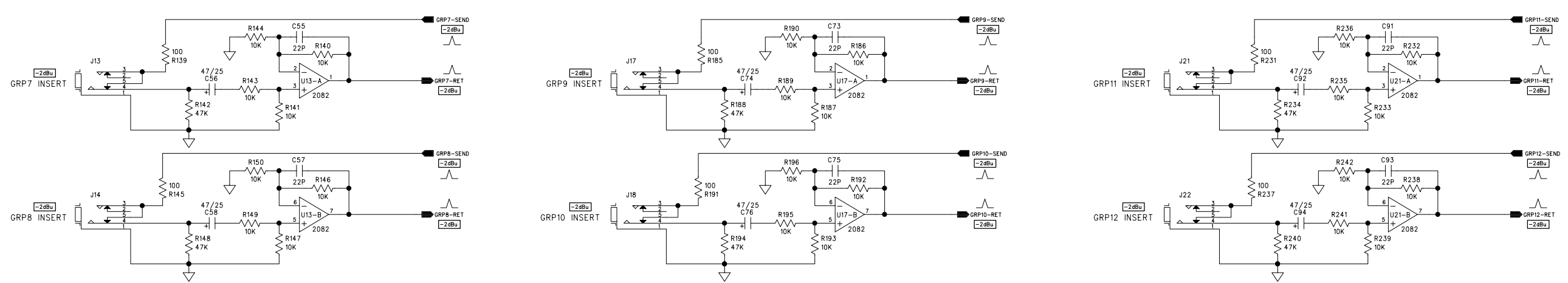
DRAWING NO: 76D5069

FILE NAME: XRMOPCN0.SCH

REV: 00

SCALE: SHEET: 1 OF 3

REVISION RECORD			
LTR	ECO NO:	APPROVED:	DATE:



COMPANY: **CRETAULTIC**

TITLE: **XR-M OUTPUT CONNECTOR PCB**

ORG DRAWN: TAZ	DATED: 12/01	CODE:	SIZE: D	DRAWING NO: 76D5069	REV: 00
CUR REV DRAWN:	DATED:	FILE NAME: XRMOPCNO.SCH		SHEET: 2 OF 3	
RELEASED:	DATED:	SCALE:			

6

5

4

3

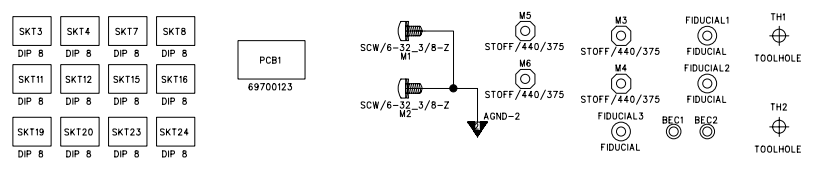
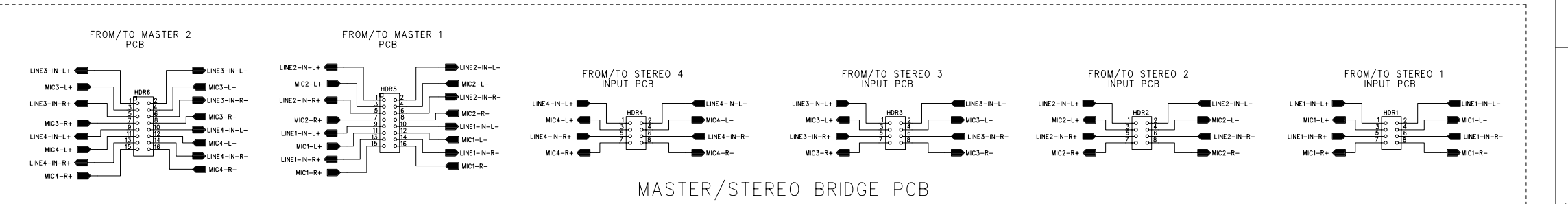
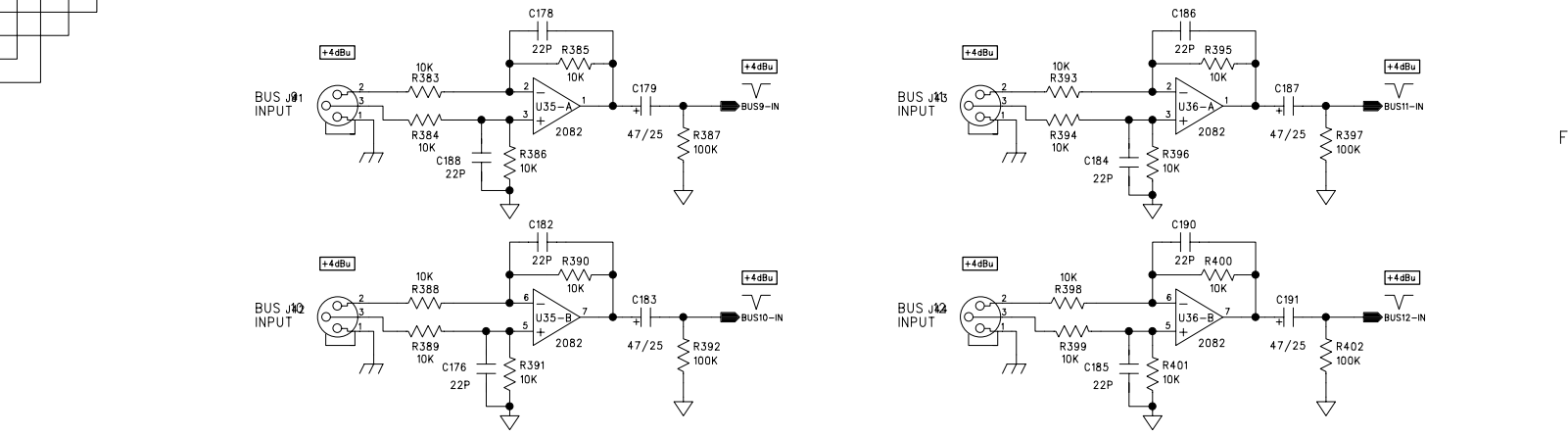
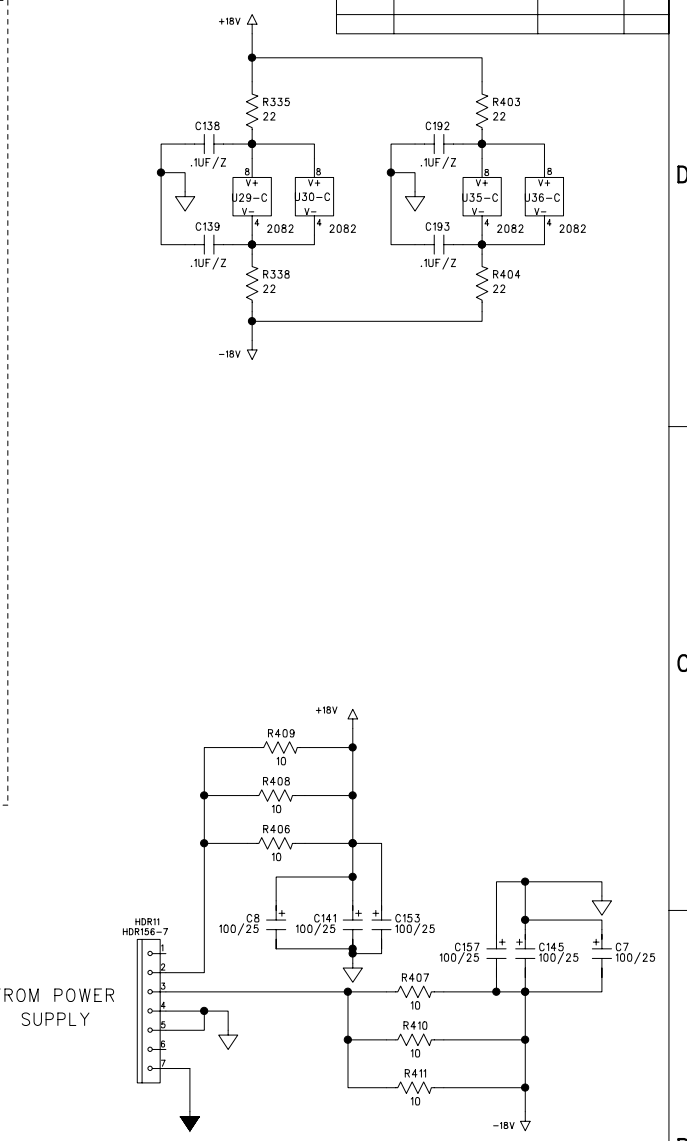
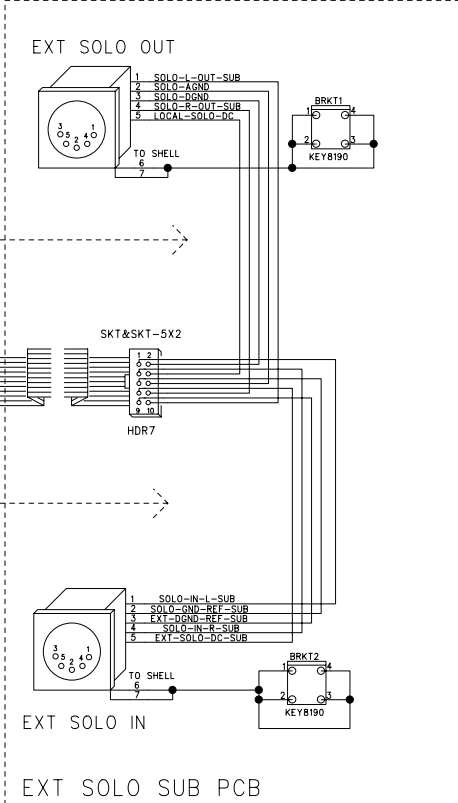
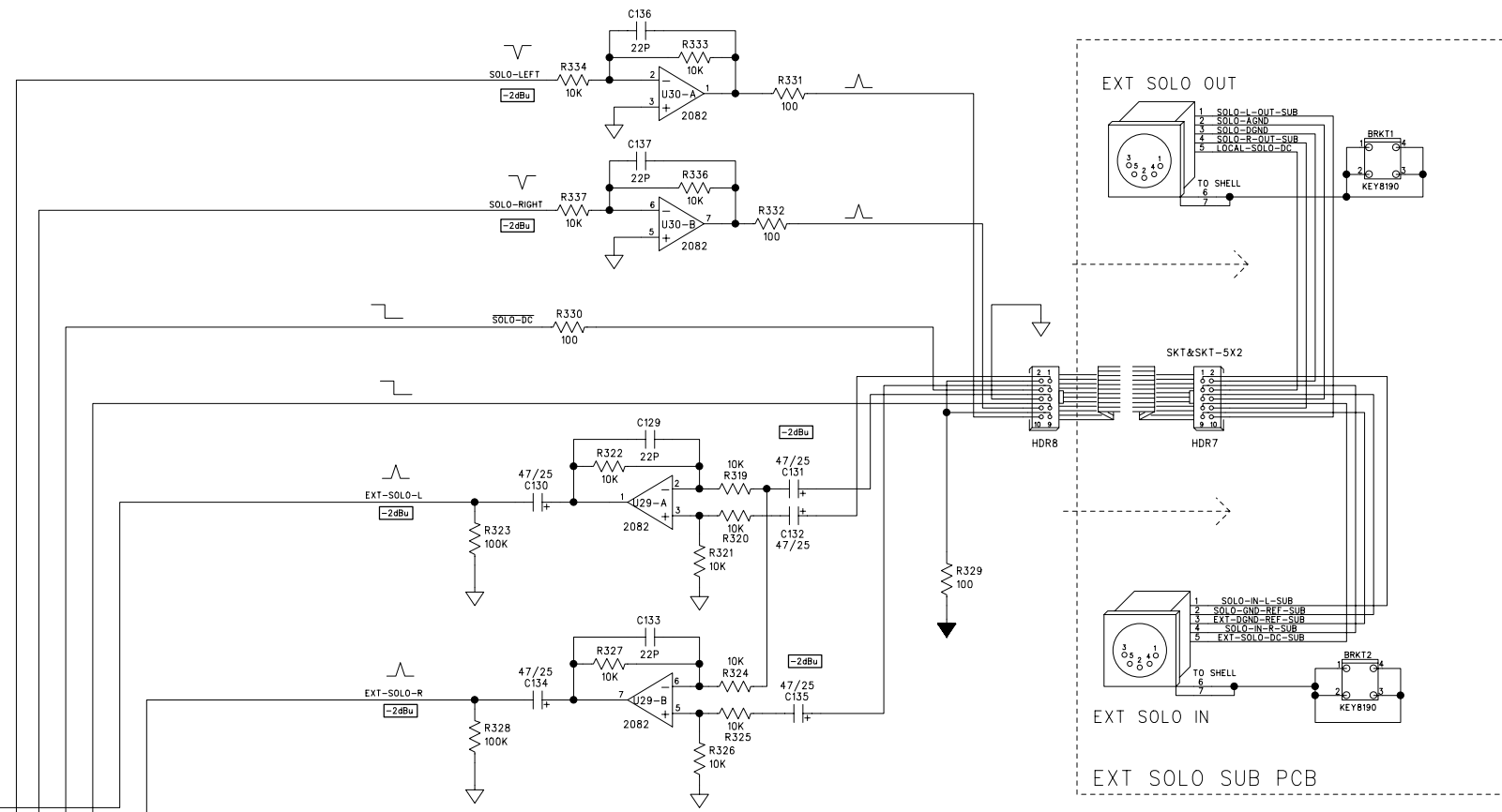
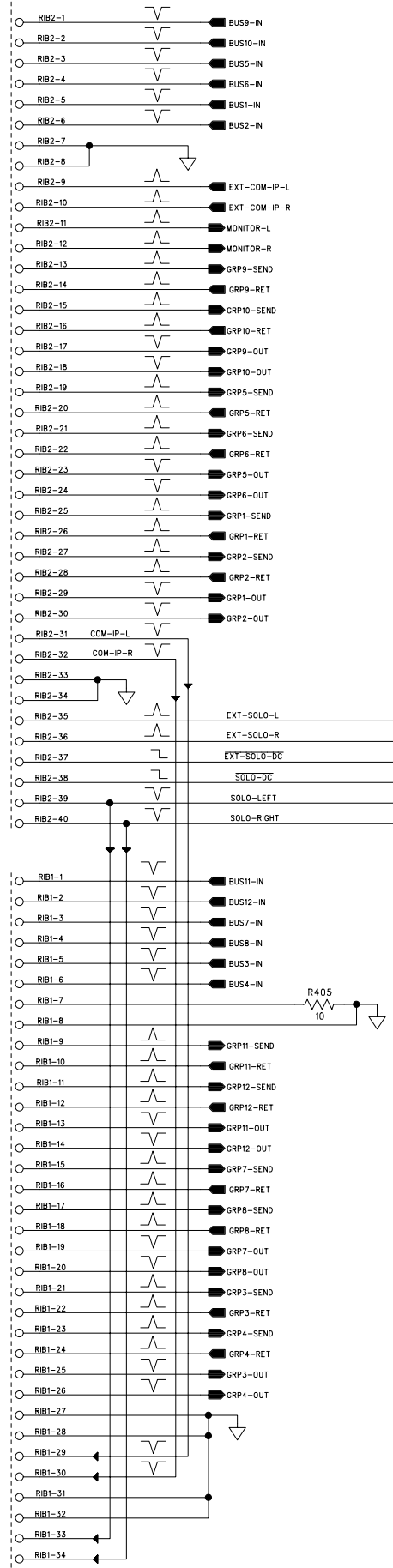
2

1

REVISION RECORD			
LTR	ECO NO:	APPROVED:	DATE:

40 WAY RIBBON ASSY TO MASTER 1 PCB

34 WAY RIBBON ASSY TO MASTER 2 PCB

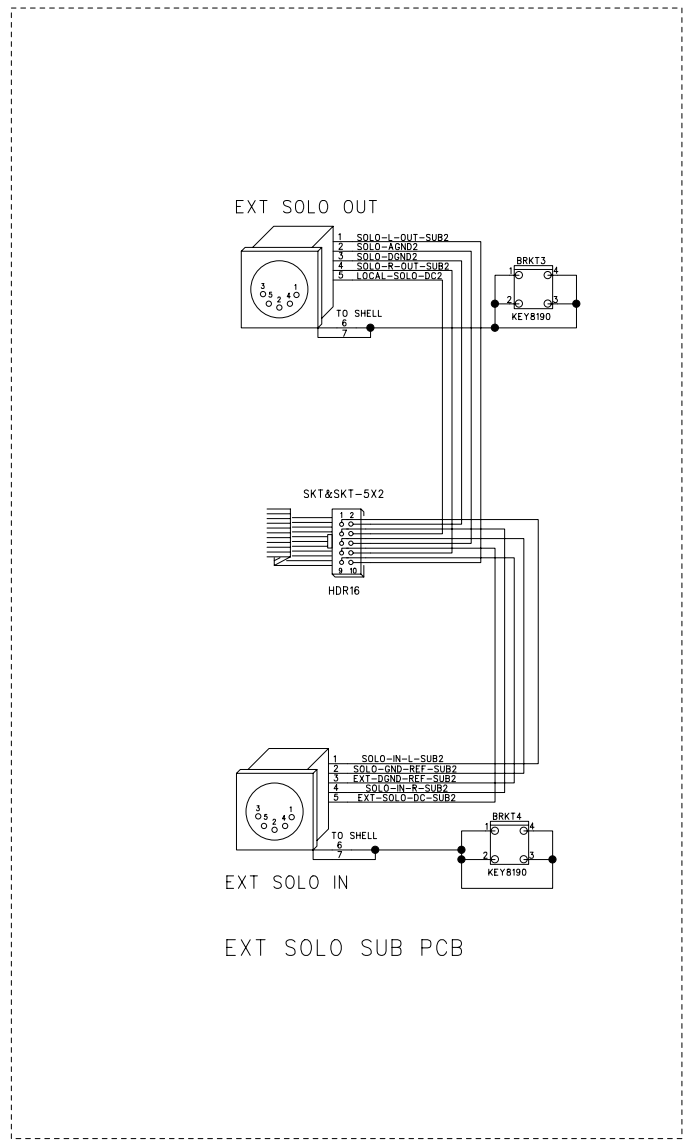
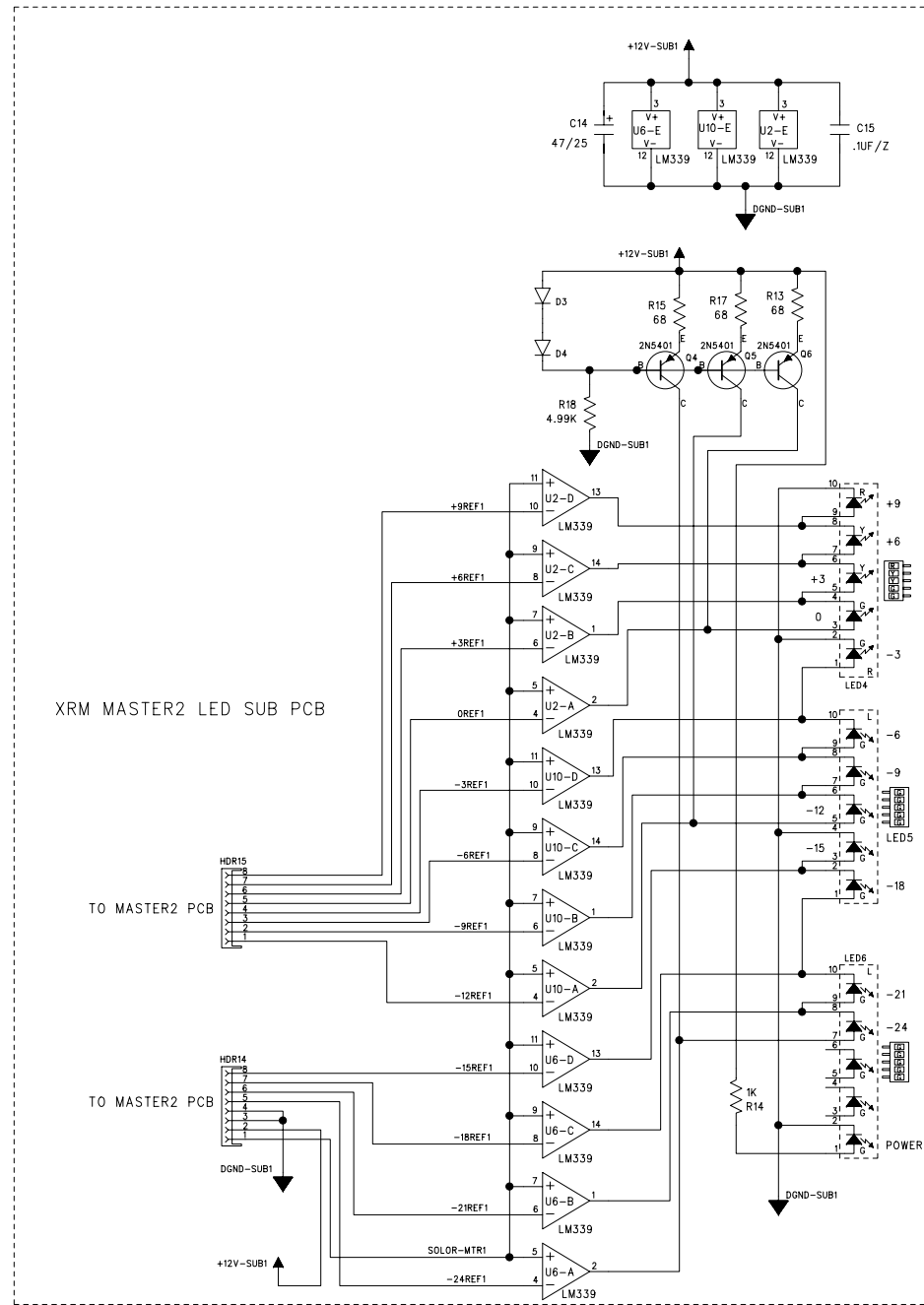


ORG DRAWN: TAZ		DATED: 12/01	
CHECKED:	DATED:	CODE:	SIZE: D
CUR REV DRAWN:	DATED:	DRAWING NO: 76D5069	
RELEASED:	DATED:	FILE NAME: XRMOPCN0.SCH	
SCALE:		SHEET: 3 OF 3	

COMPANY: **CRETALIC**

TITLE: **XR-M OUTPUT CONNECTOR PCB**

REVISION RECORD			
LTR	ECO NO:	APPROVED:	DATE:



XRM MASTER2 LED SUB PCB

TO MASTER2 PCB

TO MASTER2 PCB

EXT SOLO OUT

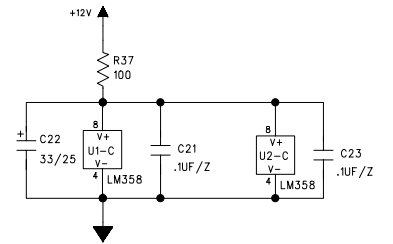
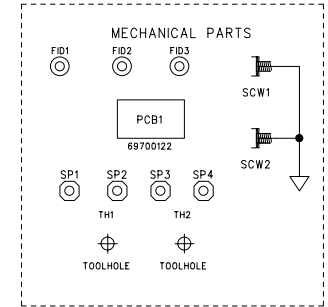
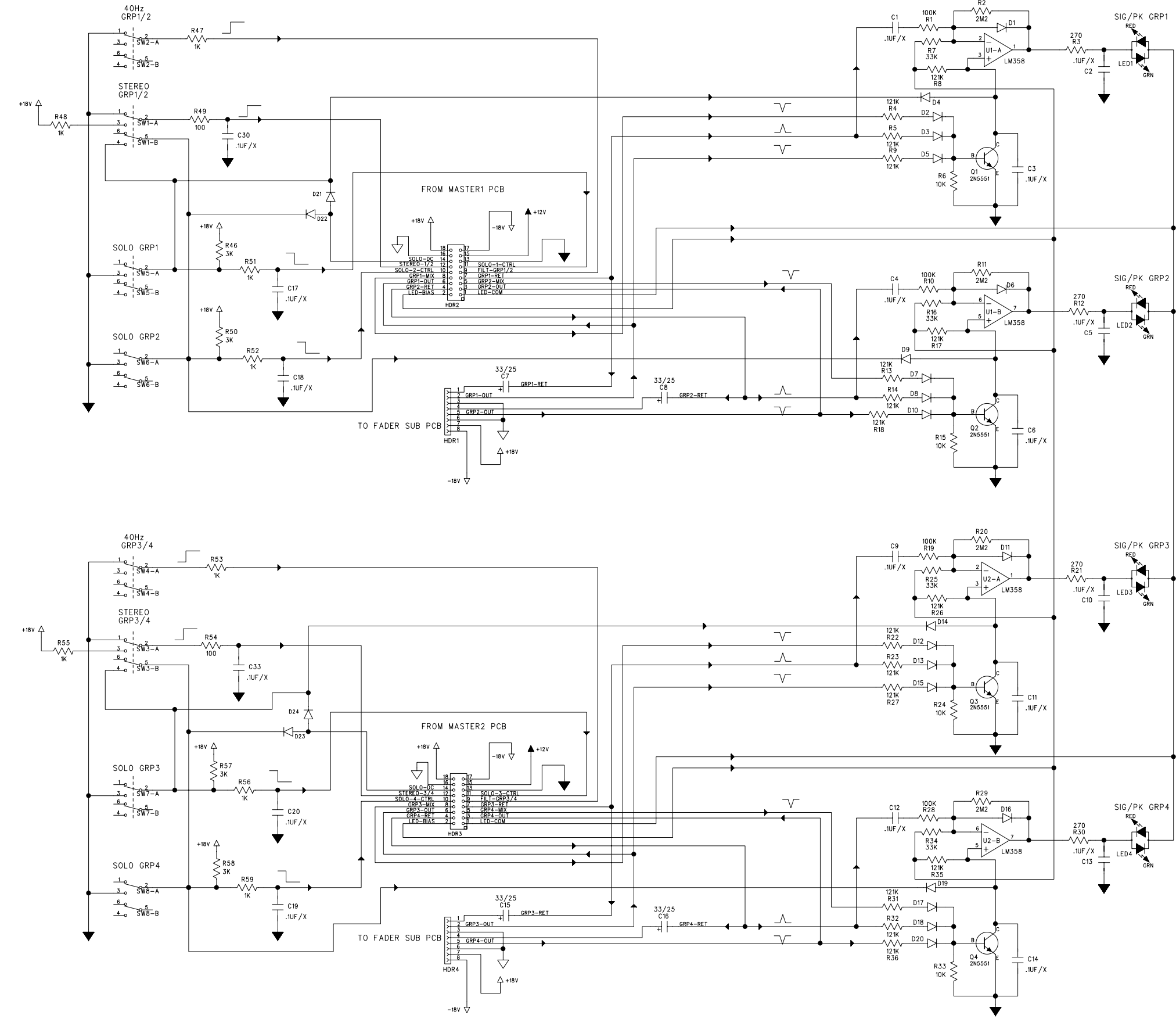
EXT SOLO IN

EXT SOLO SUB PCB

COMPANY:			
TITLE: XRM SPARE PCBS			
ORG DRAWN: TAZ	DATED: 2/02	CODE: D	SIZE: D
CHECKED:	DATED:	DRAWING NO: 76D5069	REV: 01
CUR REV DRAWN:	DATED:	FILE NAME: XRM0PCN1.SCH	
RELEASED:	DATED:	SCALE:	SHEET: 1 OF 1

6 5 4 3 2 1

REVISION RECORD			
LTR	ECO NO:	APPROVED:	DATE:



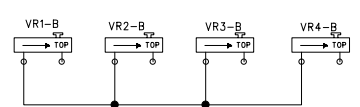
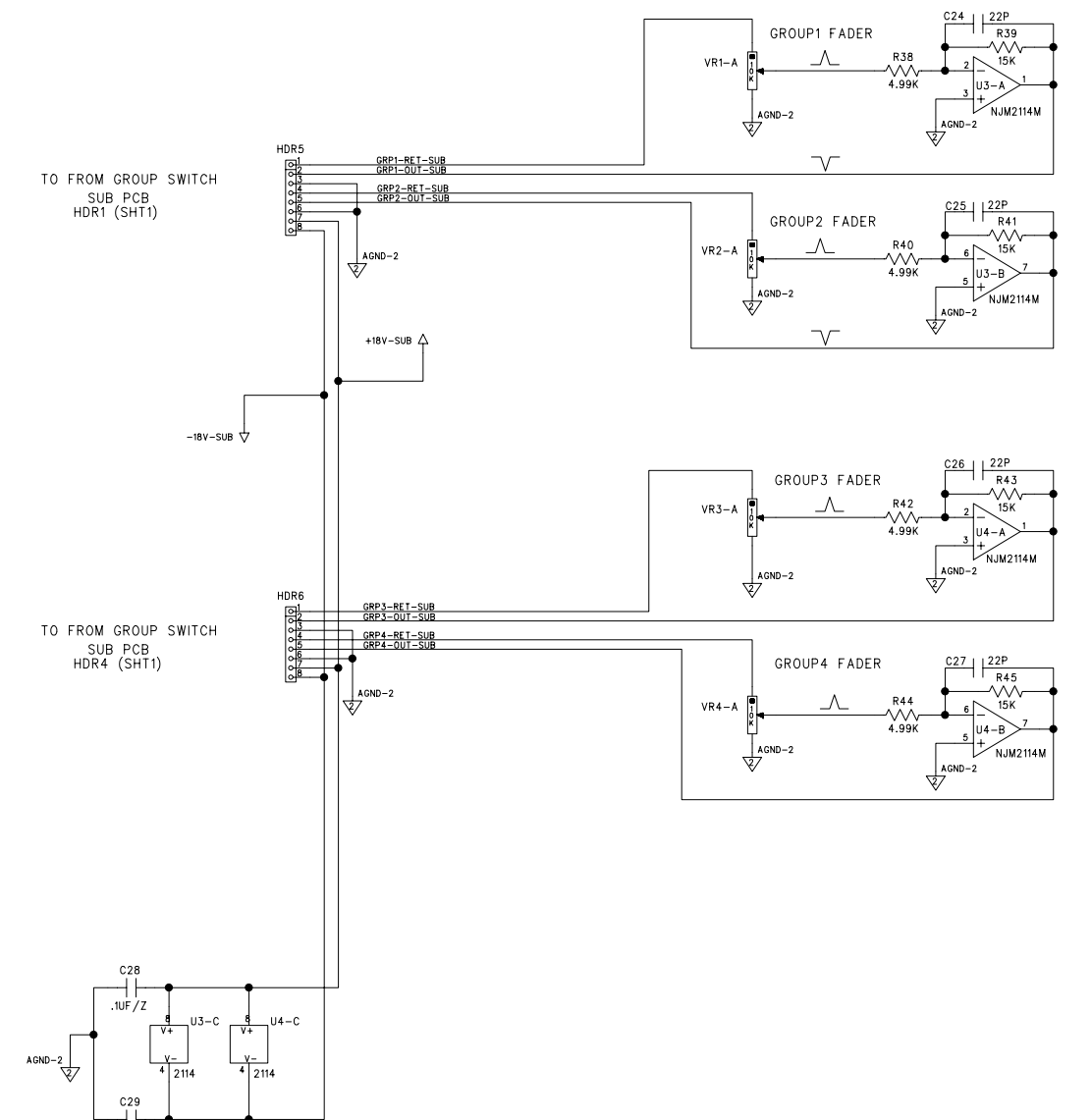
COMPANY:	
TITLE: XRM OUTPUT SWITCH/FADER SUB PCB	
ORG DRAWN: TAZ	DATED: 2/02
CHECKED:	DATED:
CUR REV DRAWN:	DATED:
RELEASED:	DATED:
CODE: D	SIZE: D
DRAWING NO: 76D5068	REV: 01
FILE NAME: XRMSWB1.SCH	
SCALE:	SHEET: 1 OF 2

D
C
B
A

D
C
B
A

6 5 4 3 2 1

REVISION RECORD			
LTR	ECO NO:	APPROVED:	DATE:



REVISION RECORD					
REV LEVEL	ASMBLY LEVEL	DATE	ECO	ENG.	DESCRIPTION
A	A	4/11		TAZ	FIRST PROTOTYPE PCB
00	A	11/27/01	4484	TAZ	PROTOTYPE REVISION NEW COPPER SWAPPED SW3 AND SW4 -WRONG IN REV A INCREASED HOLE SIZE ON SUB PCB FOR LED PETRUSION
01	A	2/14/02	4532	TAZ	PCB REVISION FROM 00 TO 01 - PART # CHANGE FROM 697-117 TO 697-122 REMOVE C31, C32 - CAUSES "THUMP" WHEN LO CUT SWT ACTIVATED.

COMPANY: **CRESTALIC**

TITLE: **XRM OUTPUT SWITCH/FADER SUB PCB**

ORG DRAWN: TAZ	DATED: 2/02	CODE:	SIZE: D	DRAWING NO: 76D5068	REV: 01
CHECKED:	DATED:			FILE NAME: XRMSWSB1.SCH	
CUR REV DRAWN:	DATED:				
RELEASED:	DATED:				

SCALE: SHEET: 2 OF 2